

McNally Sayaji Engineering Limited

# FILTER PRESS



McNally Sayaji Engineering Limited has tied up with CHOQUENET SAS, France for manufacturing of Automatic Filter press for dewatering applications.

CHOQUENET SAS, a filter manufacturing company for more than 80 years for various mining and process industry applications. With over 4000 installations, CHOQUENET is among the leading filter manufacturing companies in the world.

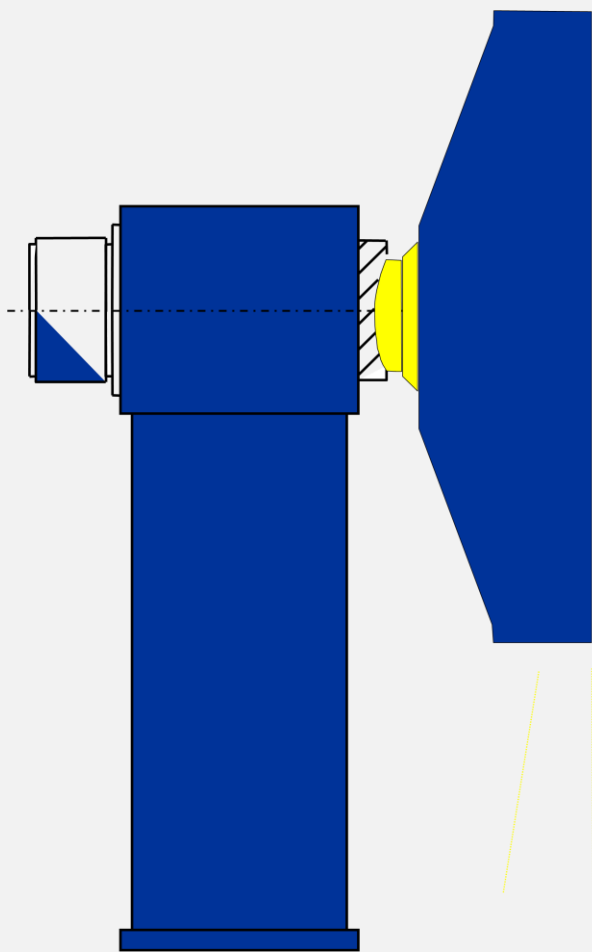
Choquet Filter Presses are fully automatic recessed/diaphragm plate filters with Vertical oriented chambers. We offer a range of models for various capacities, all designed for easy maintenance and consistent results under varying process conditions. Our comprehensive support services can help you select the correct filter model, assist with plant design, and ensure efficient and reliable operation through high-quality maintenance.

## INTRODUCTION TO FILTER PRESS

Filter presses are used for solid – liquid separation by forcing the liquid fraction of feed slurry through a permeable filter cloth. The separation takes place in chambers formed between the recessed faces of plates, which have been clamped together in a rugged steel frame. The moulded filter plates are formed with corrugated drainage surfaces in the chamber recesses and are provided with ports for slurry feed and filtrate drainage. Each face is covered with a filter cloth and several plates are clamped together using a hydraulic ram to form a series of chambers. Slurry is pumped in under high pressure, filling the chambers with solids and pushing liquid out through the filter cloth. When no more solids can be forced into chambers, the feed pumps are turned off and compressed air is used to remove interstitial water from pores in the filter cake. When the desired residual moisture content has been achieved, the filter is opened, cake is allowed to drop down below and the cycle is repeated. Based on process requirement, an additional membrane may be provided in the plates to squeeze out some moisture from the cake within the chambers formed after the filling operation prior to air blowing.

## FILTER RANGE

MSEL – CHOQUENET Filters can be offered from plate sizes ranging from **250mm x 250mm** upto **2300mm x 3000mm**. Design capability is available to offer filters having filtration area from **1.97m<sup>2</sup> upto 3342 m<sup>2</sup>**. The filters could be manual or fully automatic with options in between. Based on the requirement, the plate pack opening can be had with one plate opening at a time, two or more plates at a time or all plates opening together.



**Inclination : 6°**

#### FEATURES

1. Unique patented articulated Fixed Head that can tilt upto 6 degrees which allows it to adjust to misalignment in the plate pack on account of dirty cloth.
2. Fully Automatic operation
3. Sliding shoes under plates
4. Plate shaking mechanism to help drop sticky cakes.
5. Top centre feeding which enables proper feeding without any vibration
6. Detachable Membrane
7. Quick cloth replacement
8. Double side feeding arrangement available
9. Fully automatic, high pressure Cloth washing arrangement

#### APPLICATION AREAS:

1. Mining and Metals
  - a. Ore concentrates
  - b. Tailing dewatering
  - c. Gas Cleaning Plant sludge
  - d. Red Mud
  - e. Coal fines
2. Palm Oil and other Vegetable Oil
3. Food and beverages Industry
4. Waste water Treatment
5. Chemicals and pigment Industry
6. Pharmaceutical Industry

#### SERVICES

#### OFFERED

- ✓ LAB SCALE AND PILOT SCALE TESTING.
- ✓ ENGINEERING AND SUPPLY OF FILTER PRESSES.



Installation at JSPL Angul for BF – GCP Slurry

#### Bangalore Sales Office

3rd Floor, Maruthi Towers, #2 (old No 771),  
9th B Main, Ex-Chairman layout  
Banaswadi Main Road, Bangalore-560 043, India  
E mse.blr@mbecl.co.in  
T +91 80 41268817 / +91 80 41153781 - 3  
F +91 80 41153784

#### Other Sales Office

<b>Kolkata</b>	T +91-33-40111300	<b>Chennai</b>	M +91-9500011660
<b>Delhi</b>	M 9910661861	<b>Mumbai</b>	T +91 022-26397641
<b>Hyderabad</b>	T +91-040-27204395	<b>Nagpur</b>	M +91-9422114059
<b>Vishakhapatnam</b>	T +91-891-2551534	<b>Kochi</b>	T +91-9846034939
<b>Vijaywada</b>	M +91-9440320529	<b>Coimbatore</b>	M +91-978 978 0318

#### Corporate Office

Ecospace Business Park  
Campus-2B,11F/12, New Town  
Rajarhat, Kolkata 700 156, India.  
T +91-33-3014 2345  
+91-33-6628 2345  
F +91-33-3014 2393

#### Factories

<b>Kumardhubi</b>	T +91-6540-273010 / 11, +91-6540-272 235 / 197
<b>Baroda</b>	T +91-2667-263000 / 2661-2793650
<b>Bangalore</b>	T +91-08151399964 / 67/58
<b>Asansol</b>	M +91-8016090116

## McNally Sayaji Engineering Limited

A Member of Williamson Magor Group 